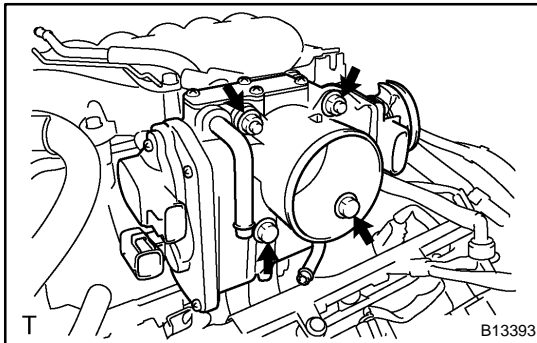


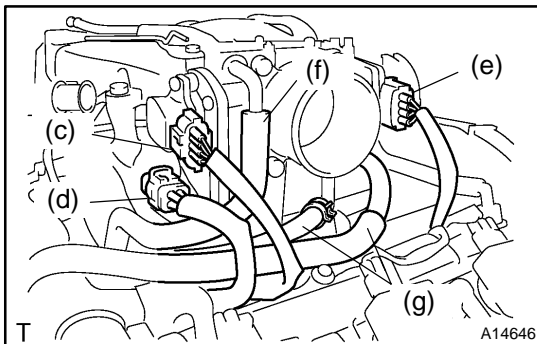
## INSTALLATION

### 1. INSTALL THROTTLE BODY

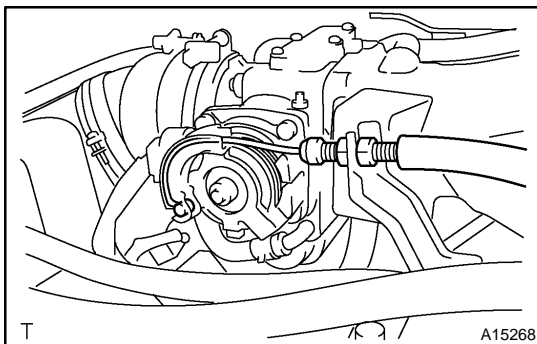
- (a) Place a new gasket on the air intake chamber facing the protrusion upward.



- (b) Install the throttle body with the 2 bolts and 2 nuts.  
**Torque: 18 N·m (180 kgf·cm, 13 ft·lbf)**



- (c) Connect the throttle position sensor connector.  
 (d) Connect the throttle control motor connector.  
 (e) Connect the accelerator pedal position sensor connector.  
 (f) Connect the air hose.  
 (g) Connect the 2 water bypass hoses.



2. CONNECT ACCELERATOR CABLE TO THROTTLE BODY  
 3. INSTALL AIR CLEANER HOSE  
 4. FILL WITH ENGINE COOLANT  
 5. START ENGINE AND CHECK FOR COOLANT LEAKS